

## Technical Bulletin 10

### Pipework Supports

Fix pipes at centres not greater than those specified in BS EN 12056-2:2000,

Table NF.1 – Maximum distance between pipe supports.

	Size ins	Size mm	Max Support		Max Expansion
			Vertical Metres	Horizontal Metres	Horizontal or Vertical Metres
Soil System	3	82	2.0	0.9	4.0
	4	110	2.0	1.0	4.0
	6	160	2.0	1.0	4.0
Waste System	1¼	32	1.2	0.4	2.0
	1½	40	1.2	0.5	2.0
	2	50	1.2	0.9	2.0

The following bracketing and support requirements should be considered during the design and installation of the drainage pipework system.

Provide additional supports as necessary at junctions and changes in direction.

Multiple pipe supports for pipes of differing sizes shall be spaced at intervals required for the smallest pipe. Pipework should be fixed in straight runs and all horizontal runs are to be laid to the minimum gradients stated in BS EN 12056-2.

Brackets used for PVC u pipework and fittings internally should have a two-position fixing suitable for either acting as a pipe support but allowing thermal movement or as a clamp fit on a fitting creating a fixed point. For optimum fit to pipe supports rubber packing pieces may be used.

PVC u discharge and ventilating pipework shall be installed to accommodate thermal movement between fixed points in accordance with the manufacturer's recommendations (refer to the Terrain Thermal Movement guide for design and installation requirements)

Pipes passing through walls or floors shall be sleeved to allow unrestrained movement. Vertical fixings should be placed directly below joints wherever possible, with additional brackets provided at branches, bends and changes in direction, as necessary.

It is important to install adequate restraints to all bends, branches, stop ends etc to ensure that the system is capable of withstanding all likely accidental static water pressures.

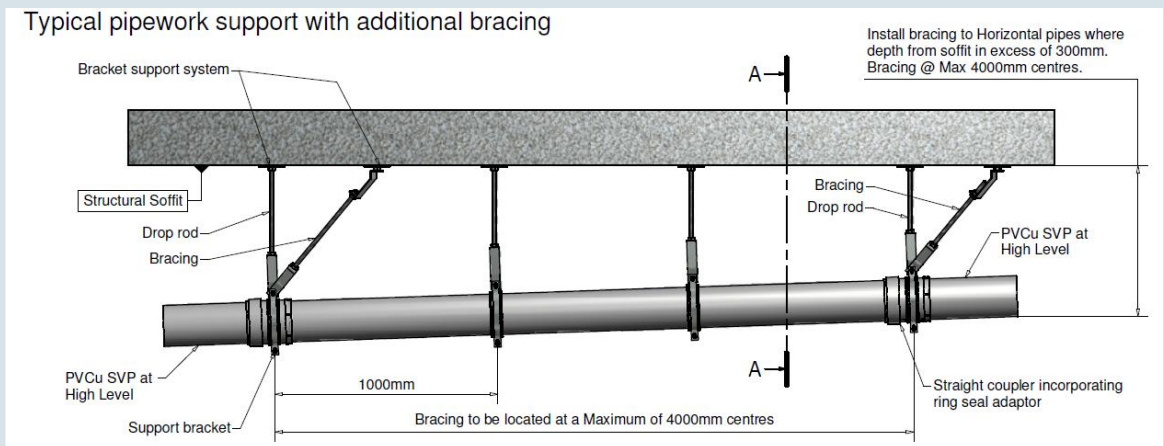
**For further assistance please contact our Technical Team on:**

+971 (0) 4 807 3000 [middleeast@polypipe.com](mailto:middleeast@polypipe.com) [www.polypipe.com/middleeast](http://www.polypipe.com/middleeast)

Horizontal fixings shall be fixed via purpose made two-piece galvanised mild steel bolted drop rod type clips drilled to accept M8/M10 rod. Brackets should be placed directly adjacent and downstream of pipe sockets wherever possible, with additional brackets provided at branches, bends and changes in direction, as necessary.

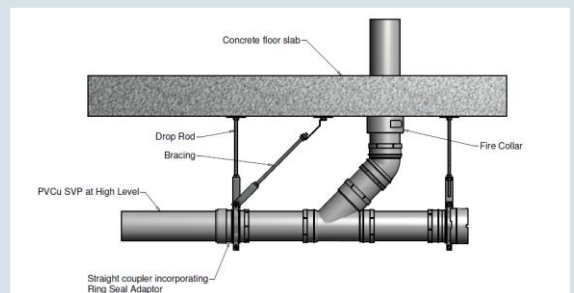
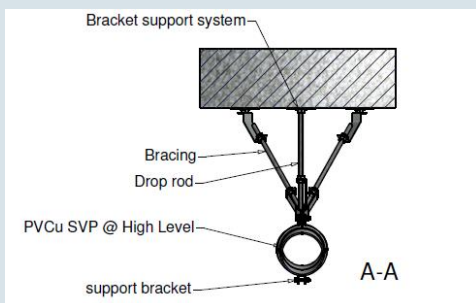
For larger diameter pipework systems the method of support and possible weight of the full bore pipework should be discussed and developed with the project structural design team.

Where horizontal pipes are located in excess of 300mm from soffit adequate supports shall be installed to prevent axial movement.



The type of pipe hanger clip or hoop used shall be selected according to the application, special provision being made in instances where the pipework installation is subject to axial movement due to thermal expansion and/or contraction.

Angle section mild steel bracing brackets should be fitted at vertical bends to prevent axial movement of suspended pipes, particularly at the base of discharge stacks and changes of direction.



**For further assistance please contact our Technical Team on:**

+971 (0) 4 807 3000 [middleeast@polypipe.com](mailto:middleeast@polypipe.com) [www.polypipe.com/middleeast](http://www.polypipe.com/middleeast)